

**MOST
DEPENDABLE
FOUNTAINS, INC.**

**MODELS:
400DBFR AND 400DBSSFR**

OPERATIONS MANUAL

**Most Dependable Fountains, Inc.
5705 Commander Drive
Arlington, TN 38002
800-552-6331
www.mostdependable.com**

6/2011



400 SERIES DRINKING FOUNTAIN SPECIFICATIONS

WATER QUALITY (LEAD FREE)

Section 9, California Proposition 6 and the Federal Safe Drinking Water Act.

STANDARD PEDESTAL

One piece weld construction with MDF standard 3/16" wall thickness.

OR

STAINLESS STEEL PEDESTAL

One piece weld construction with MDF standard 304 schedule 10 stainless steel.

RECEPTOR BOWL

18 gauge electro-polished stainless steel bowl. Bowl overlaps pedestal, preventing build-up of residue in visual drinking area. Optional stainless steel Bowl Strainer recommended for areas with sand.

BUBBLER HEAD

Stainless steel anti-squirt head (weighing a pound and a half) mounted with a lock nut and washer to prevent tampering. Lock nut pin holds bubbler in locked position to prevent twisting or turning. The MDF bubbler head has a unique design that features a steady stream trajectory and a built in natural shield from contamination.

PUSH BAR

304 stainless steel with circumference exceeding 8.6". Mushroom style push bar overlaps and prevents sand and other objects from sticking push bar in the ON position. Stainless steel bubbler housing standard.

CONTROL VALVE

Requires less than 5 lbs to operate. Non-cartridge O-ring valve delivers steady stream of water through an adjustable valve. This valve design is to operate and function at 30 to 80 PSI. Ideal operating pressure is 60 PSI.

WATER SUPPLY (LEAD FREE)

Maintenance free reinforced nylobraid tubing that is NSF-61 certified. **This tubing is not plastic.** It is supplied with a 1/2" MIP threaded inlet with stainless steel strainer. Union fittings at every connection. Supply line stops above grade.

DRAIN

1 1/2" schedule 40 PVC pipe. Drain line stops above grade.

FINISH

Oven baked powder coat. Choice of colors are: green, blue, black, red, yellow, orange, white and chrome. Textured color choices: emerald, sapphire, pyrite, text-black, burgundy, gold vein, copper and sandstone. Stainless steel models are powder coated for added protection. The color chrome is available for stainless steel models only.

ACCESS

Working parts accessible through bowl of fountain for easy service. Supply and waste connections are through the above grade access door. All access plates, brackets, vandal resistant bolts and screws are stainless steel.

INSTALLATION

Surface Mount installation, is designed to be anchored on top of an existing surface (concrete, etc.) with anchor bolts through a mounting plate that is welded to the fountain. Surface Mount Fountains provide an access door with vandal resistant stainless steel screws. Surface mount carrier recommended for all surface mount installations. Access door standard on all pedestal fountains.

WINTERIZATION

Shut off water and drain down.

WARRANTY

One year warranty, labor not included.

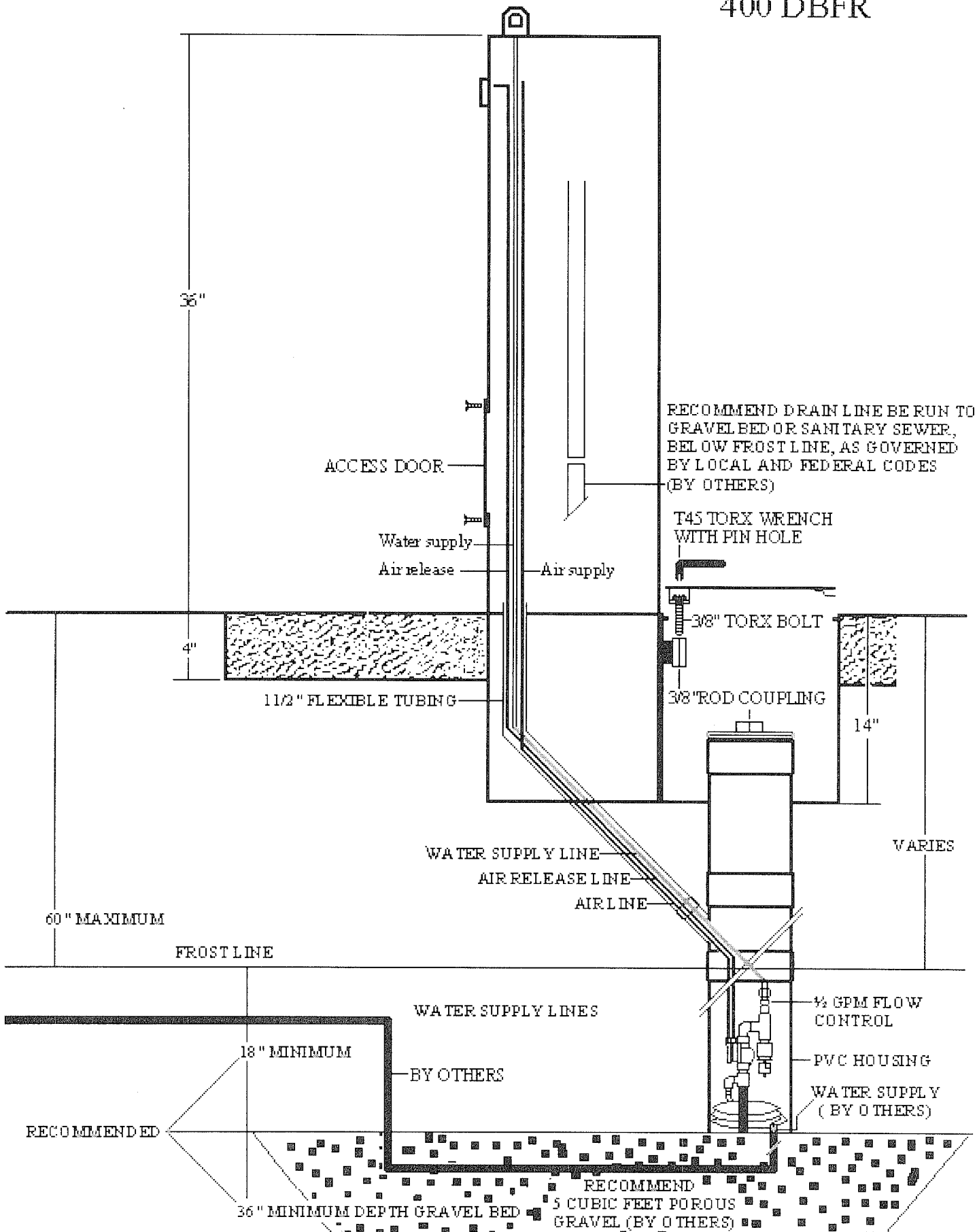
SHIPPING WEIGHT

Model 400 SM.....	115 lbs	Model 400 SMSS.....	115 lbs	*Meets ADA for High and Low
Model 410 SM.....	110 lbs	Model 410 SMSS.....	110 lbs	
Model 440 SM*.....	130 lbs	Model 440 SMSS*....	130 lbs	
Model 493 SMSS*..	170 lbs	Model 493 SMSS*....	170 lbs	

MOST DEPENDABLE FOUNTAINS, INC.™
 (800) 552-6331 • (901) 867-0039 • Fax (901) 867-4008
 5705 COMMANDER DR. • ARLINGTON, TN 38002-0587
www.mostdependable.com



400 DBFR



Freeze Resistant Installation Instructions

(Note: Local, State and/or Federal Codes should be adhered to)

1. Establish location of drinking fountain.
2. Establish dept of frost line in your area. Add 18" (minimum dept to be below frost line) and add 36" (minimum depth for porous gravel bed) to depth. EXAMPLE: Frost line is 36", add 18" plus 36" for a total of 90" below your finish grade. This is the bottom of your gravel bed.
3. Fill excavation with 36" of porous gravel. Recommend 5-10 cubic feet of fill material.
4. Using example of 36" frost line, add 18" (minimum depth frost line), deduct 6" for a total of 48", this is the length of your PVC housing. This will put the top of removable plug, located in valve box, 6" below finish grade. Cut PVC housing accordingly.
5. Connect **minimum** ½" water supply (**30 PSI minimum**) to inlet hose connection, below frost line. Fish hose line assembly thru PVC housing and through wye, to above grade. Attach water supply to inlet and outlet connection on our valve assembly. See drawing. **Note: Water supply line must be thoroughly flushed, before attaching to MDF valve assembly. Recommend an inline filter (by others).** Pressure test for leaks. Lower assembly into housing, taking care not to kink house. Plug PVC housing and carefully backfill, keeping it vertically plum. Place 12" valve box over PVC housing, setting it to finish grade.
6. Note: Direct Bury (DB) fountain will have an attached 12" valve box (see drawing). Keep PVC assembly plum during backfill procedure. After bringing fill to grade, dig out for fountain, set and secure fountain to proper finish grade. Pour concrete.
7. Note: Surface Mount (SM) fountain will not be attached to 12" valve box (see drawing). This will require 1 ½" flexible tubing to be located, minimum 15" c-c of valve box and fountain pedestal, during backfill procedure. After centering valve box over PVC housing, stub 1/12" flexible tubing and drain connection thru concrete slab, using template drawing for bolt setting (bolts by others). Pour concrete. After concrete has cured, anchor your Surface Mount fountain to slab.
8. Make final connection to water and 1/8" activation tube. Leave 1/8" air release tube open to the air. Make final connection to drain line, thru access door. This applies to surface mount and direct bury fountains.
9. Lift complete assembly from PVC housing, turn on water supply, test for leaks. Lower complete assembly back into PVC housing, retest for leaks or malfunctions. The supply hose should be coiled in the bottom of the housing without any kinks. Make sure the water supply line is draining back to the gravel bed. Be sure there are no traps or kinks in the water supply line, above the frost line, which would allow the supply line to freeze.
10. Check **Troubleshooting List**.

Troubleshooting List

LOW WATER FLOW:

- a) Make sure supply valve is **fully** open.
- b) Make sure water supply pressure is a **minimum** 30 PSI.
- c) Check inlet strainer, located in valve body, for trash. Clean thoroughly (see parts drawing).
- d) Check rubber orifice, located in flow control fitting, for trash. Clean thoroughly (see parts drawing).

NO WATER FLOW:

- a) Check air tubing, from push button to the valve, for air leaks.
- b) Make sure air tubing compression nuts are hand tight.
- c) Disconnect the air supply tubing from the push bar, blow into the tubing to verify the valve is operating properly. May require a new repair kit.
- d) Check push button, by holding finger over air outlet to check diaphragm. Make sure screws are tight on diaphragm. May require replacement of push button.

CONTINUOUS WATER STREAM:

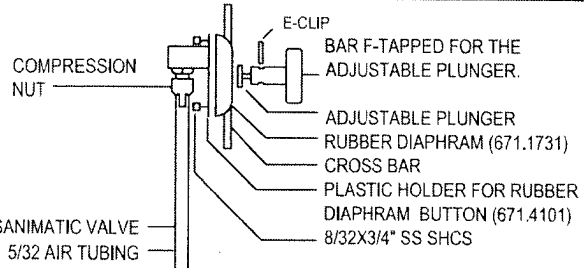
- a) Make sure there are no obstructions to prevent push button from returning back to its proper position.
- b) Make sure air release line, off the air bleed port of the control valve, is not obstructed or kinked. Make sure the bleed port is not obstructed.
- c) Check rubber diaphragm for trash, by removing (4) screws from valve body. Remove rubber diaphragm from body and clean out hole under the lip of plastic part (see parts drawing).
- d) Check rubber button, in the center of the steel disc, for wear. If the button is worn, flip the disc over or replace. It may be necessary to slightly stretch the spring behind the steel disc, for better seating.
- e) Check renewable valve seat for wear. If it is worn, grooved, or pitted, replace it.

VARIED AND INCONSISTENT HEIGHT OF WATER STREAM:

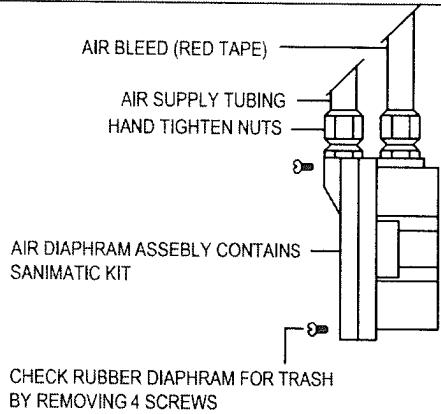
- a) Check for kinked water supply tubing.
- b) Check for trash in flow control. May require the replacement of flow control valve.
- c) Note: push button has an adjustable plunger, to activate the air valve. Make sure the plunger is activating the rubber bellows properly. You may have to adjust it, slightly, forward. Sometimes this occurs in high altitude conditions.

SANIMATIC IG "STANDARD" PARTS PARTS AND MAINTENANCE SHEET

PROBLEM: THE FOUNTAIN RUNS FOR FEW SECONDS AND QUILTS.
SOLUTION: DISCONNECT AIR SUPPLY HOSE AND BLOW THROUGH FOR AS LONG AS YOU CAN, PINCH OR CRIMP AIR TUBING AND IF THE FOUNTAIN WORKS, THE PROBLEM IS IN THIS AREA. CHECK THE RUBBER DIAPHRAM. THE PLUNGER MAY NEED TO BE ADJUSTED FORWARD. CHECK FOR CRACKED FITTINGS AND MAKE SURE THE COMPRESSION NUT IS TIGHTENED BY HAND.

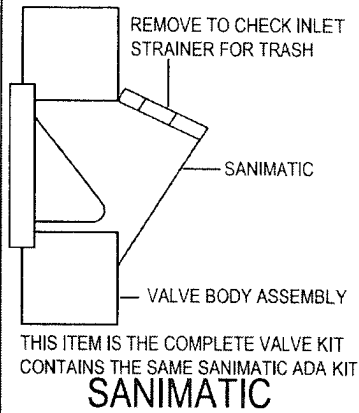
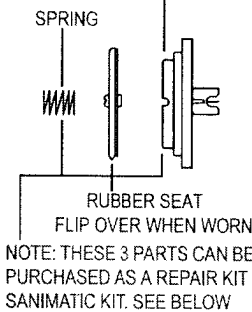


AIR BUTTON

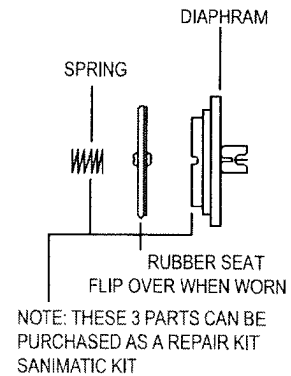
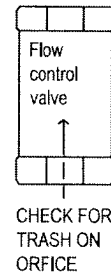
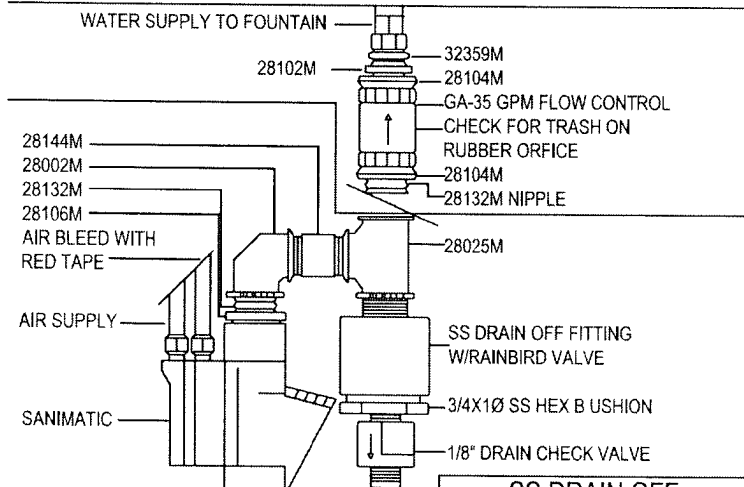


AIR SUPPLY TO SANIMATIC VALVE
 5/32 AIR TUBING

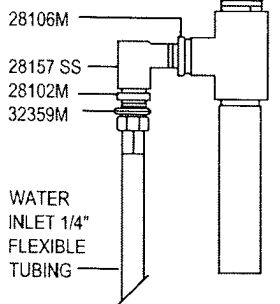
TO MAINTAIN KEEP CENTER HOLE AND PILOT HOLE OF DIAPHRAM FREE OF DEBRIS



SANIMATIC ADA

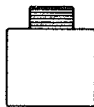


SANIMATIC KIT



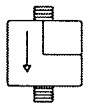
SANIMATIC IG

SS DRAIN OFF

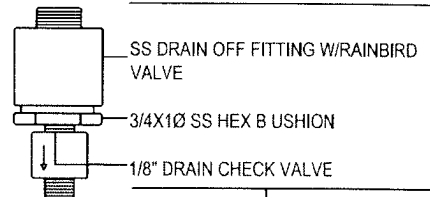


SS DRAIN OFF FITTING
 W/RAINBIRD VALVE

1/8 CHECK VALVE



1/8" DRAIN CHECK VALVE



RAINBIRD DRAIN

NOTE:
 THESE ITEMS CAN BE
 PURCHASED AS A KIT
 RAINBIRD DRAIN

HOSE #	LENGTH	QTY	HOSE #	LENGTH	QTY
# 1 hose	3/8 x 7 1/2		# 31 hose	3/8 x 24	
# 2 hose	3/8 x 12		# 32 hose	3/8 x 29	
# 3 hose	3/8 x 21		# 33 hose	3/8 x 8 1/2	
# 4 hose	3/8 x 26		# 34 hose	3/8 x 38	
# 5 hose	3/8 x 42		# 35 hose	1/4 x 30	
# 6 hose	3/8 x 48		# 36 hose	1/4 x 14	
# 7 hose	3/8 x 84		# 37 hose	1/4 x 120	
# 8 hose	3/8 x 112		# 38 hose	1/4 x 144	
# 9 hose	1/2 x 18 (NS=new style)		# 39 hose	1/4 x 132	
# 9 hose	1/2 x 72 (OS=old style)		# 40 hose	3/8 x 14	
# 10 hose	1/4 x 7 1/2		# 41 hose	1/2 x 14 (used w/kit-HB)	
# 11 hose	1/4 x 13		# 42 hose	3/8 x 44	
# 12 hose	1/4 x 26		# 43 hose	3/8 x 40	
# 13 hose	1/4 x 84		# 44 hose	1/2 x 36	
# 14 hose	3/8 x 16		# 45 hose	1/2 x 144	
# 15 hose	3/8 x 72		# 46 hose	1/2 x 12 1/2	
# 16 hose	3/8 x 10		# 47 hose	1/2 x 10	
# 17 hose	1/4 x 72		# 48 hose	1/4 x 5	
# 18 hose	1/2 x 18		# 49 hose	1/4 x 10	
# 19 hose	1/4 x 16		# 50 hose	3/8 x 18	
# 20 hose	3/8 x 30		# 51 hose	1/2 x 60	
# 21 hose	3/8 x 31		# 52 hose	1/4 x 6 1/2	
# 22 hose	3/8 x 13		# 53 hose	1/2 x 72	
# 23 hose	3/8 x 34				
# 24 hose	1/4 x 8				
# 25 hose	1/4 x 21				
# 26 hose	1/4 x 9				
# 27 hose	1/4 x 20				
# 28 hose	1/4 x 12				
# 29 hose	1/4 x 17				
# 30 hose	1/4 x 42				

Page 2 FOR ASSISTANCE CALL 800-552-6331

PURCHASE ORDER NUMBER _____ Page 2 Sub-total _____

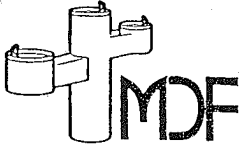
COUNTY _____ Tax % _____

INVOICE NUMBER _____ Shipping _____

TOTAL \$ _____

Billing: _____ Shipping: _____

PHONE _____ FAX _____ Date: ____/____/____ rev 05/2012



**MOST DEPENDABLE
FOUNTAINS, INC.**

5705 Commander Dr. • PO Box 587

Arlington, Tennessee 38002-0587

800-552-6331 • 901-867-0039 • Fax 901-867-4008

www.mostdependable.com

MOST DEPENDABLE FOUNTAINS, INC.

LIMITED WARRANTY

Most Dependable Fountains warrants that all of its products are guaranteed against defective material or poor workmanship for a period of one year from date of shipment. Most Dependable Fountains liability under this warranty shall be discharged by furnishing without charge any goods, or part thereof, which shall appear to the Company upon inspection to be of defective material or not of first class workmanship. Most Dependable Fountains will not be liable for the cost of repairs, alterations or replacements, or for any expense connected therewith made by the owner or his agents. Most Dependable Fountains will not be liable for any damages caused by defective materials or poor workmanship, except for replacements, as provided above. Buyer agrees that Most Dependable Fountains has made no other warranties either expressed or implied in addition to those above stated. The drinking fountain manufactured by Most Dependable Fountains is warranted to function if installation and maintenance instructions provided are adhered to. The units also must be used for the purpose for which they were intended.

**NO OTHER WARRANTIES EXPRESSED OR IMPLIED ARE AUTHORIZED,
PROVIDED OR GIVEN BY MOST DEPENDABLE FOUNTAINS.**