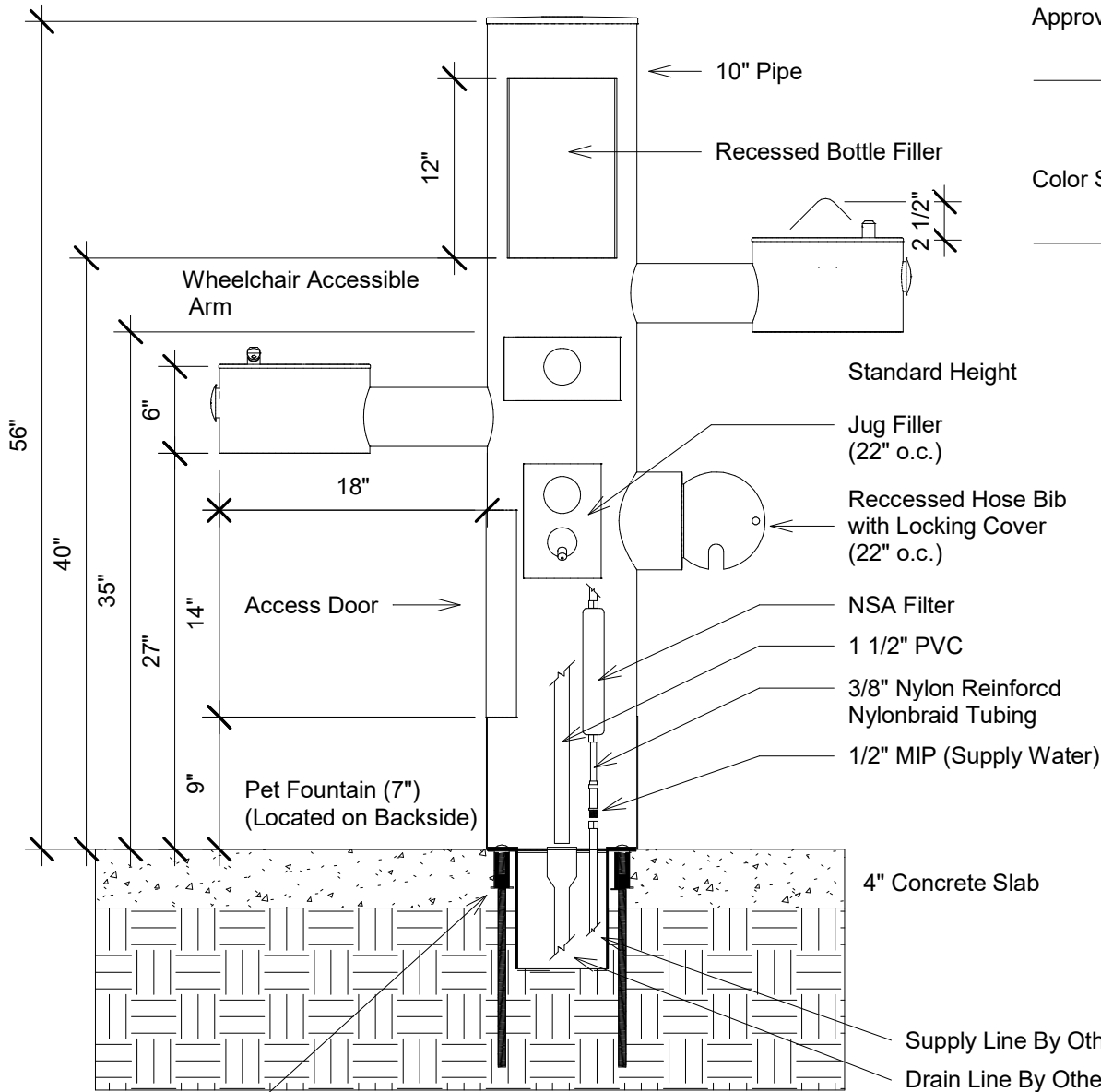


1 **10145 SM & SMSS**
 1" = 1'-0"

- Pet Fountain
- Recessed Hose Bib with Locking Cover
- Jug Filler

Most Dependable Fountains, INC.
 5705 Commander Dr. PO Box 587
 Arlington, TN 38002
 Phone: (901-867-0039)
 www.mostdependable.com



Approval Signature: _____

Color Selection: _____

Select Material Type:

- Black Iron (SM)
- 304 Stainless Steel (SMSS)
- 316 Stainless Steel (SMSS316)

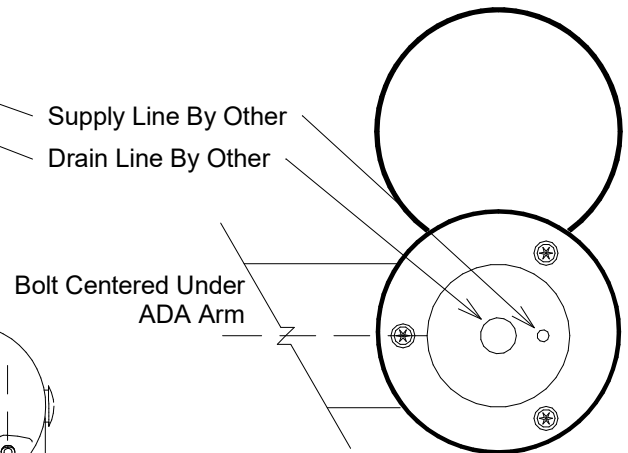
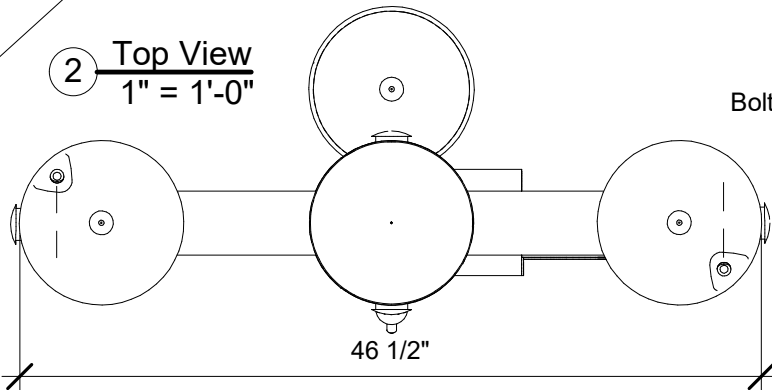
Installation Option

- SS Surface Carrier
- Unattached Valve Box
- Cut Off Low Point Drain

Note:
 3" Air Gap Between Water Spout & Top of Pet Bowl Rim

Optional SS Surface Carrier

2 **Top View**
 1" = 1'-0"



- Water Stream Path
- ⊗ Surface Mounting Bolt Location

ADA Clearance Note:
 30" Minimum width from center of ADA push button.

