

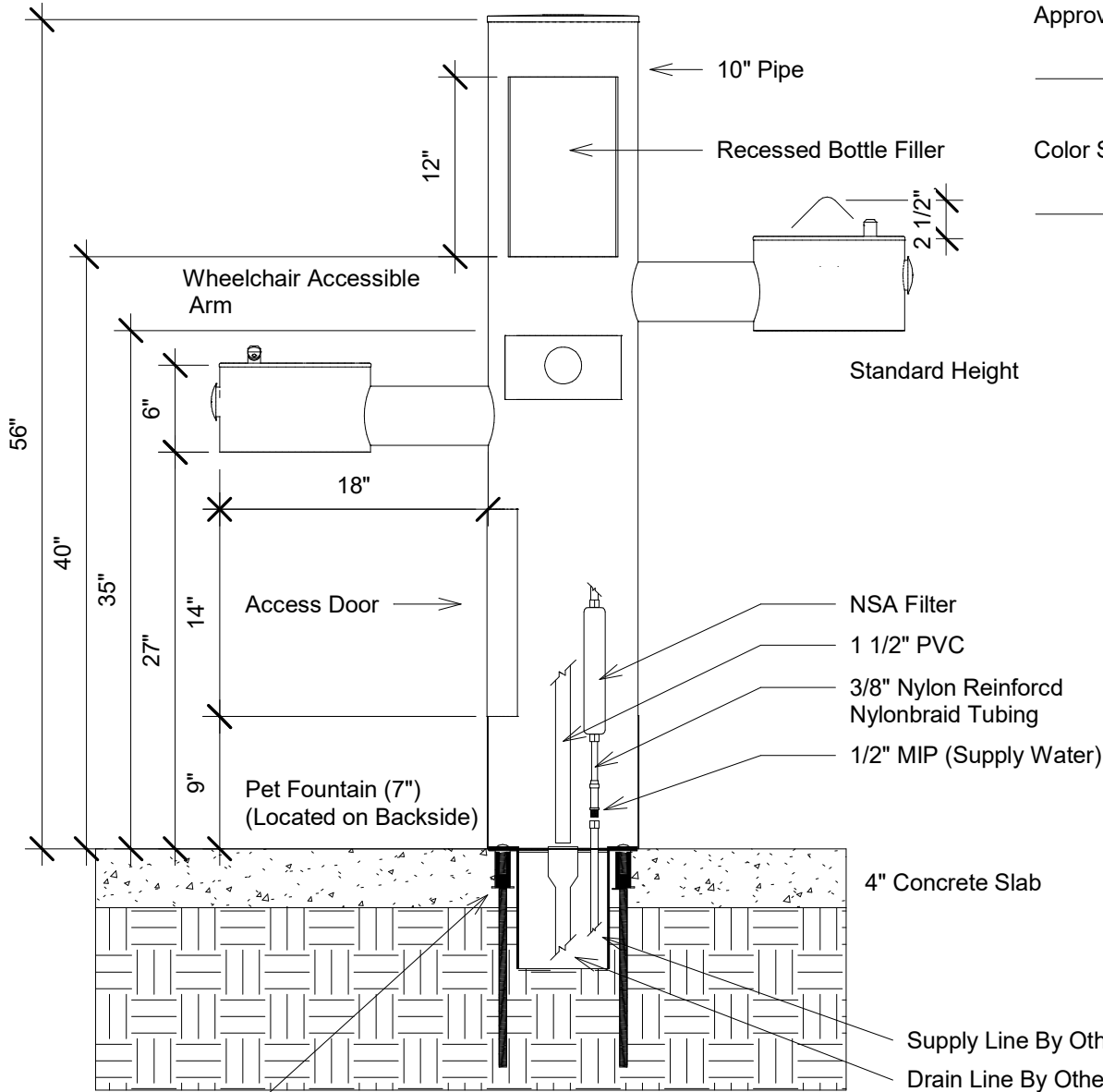
1 10145 SM & SMSS
1" = 1'-0"

• Pet Fountain

Most Dependable Fountains, INC.
5705 Commander Dr. PO Box 587
Arlington, TN 38002
Phone: (901-867-0039)
www.mostdependable.com

Approval Signature: _____

Color Selection: _____



Select Material Type:

- Black Iron (SM)
- 304 Stainless Steel (SMSS)
- 316 Stainless Steel (SMSS316)

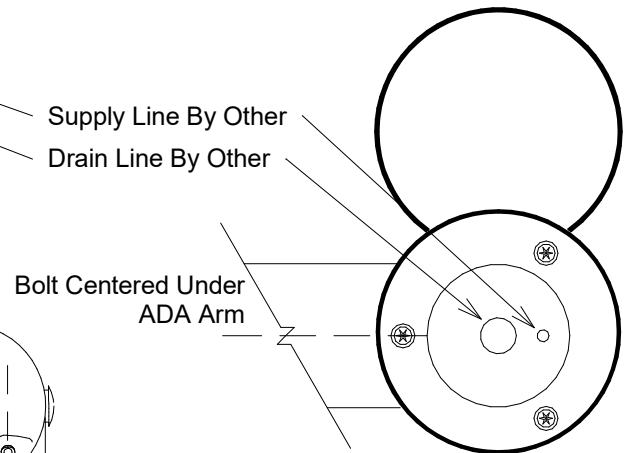
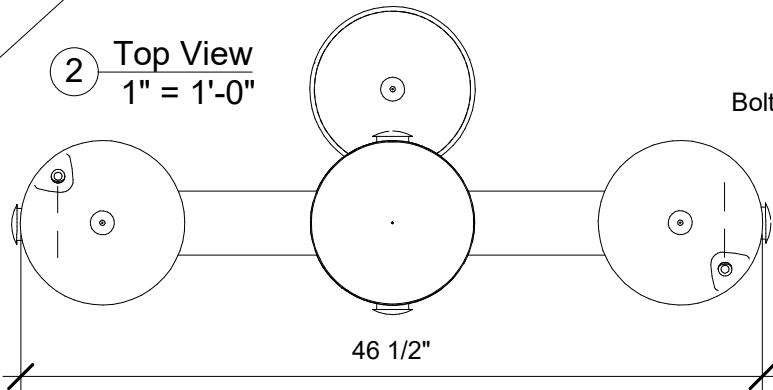
Installation Option

- SS Surface Carrier
- Unattached Valve Box
- Cut Off Low Point Drain

Note:
3" Air Gap Between
Water Spout &
Top of Pet Bowl Rim

Optional SS Surface Carrier

2 Top View
1" = 1'-0"



ADA Clearance Note:
30" Minimum width from
center of ADA push button.

