

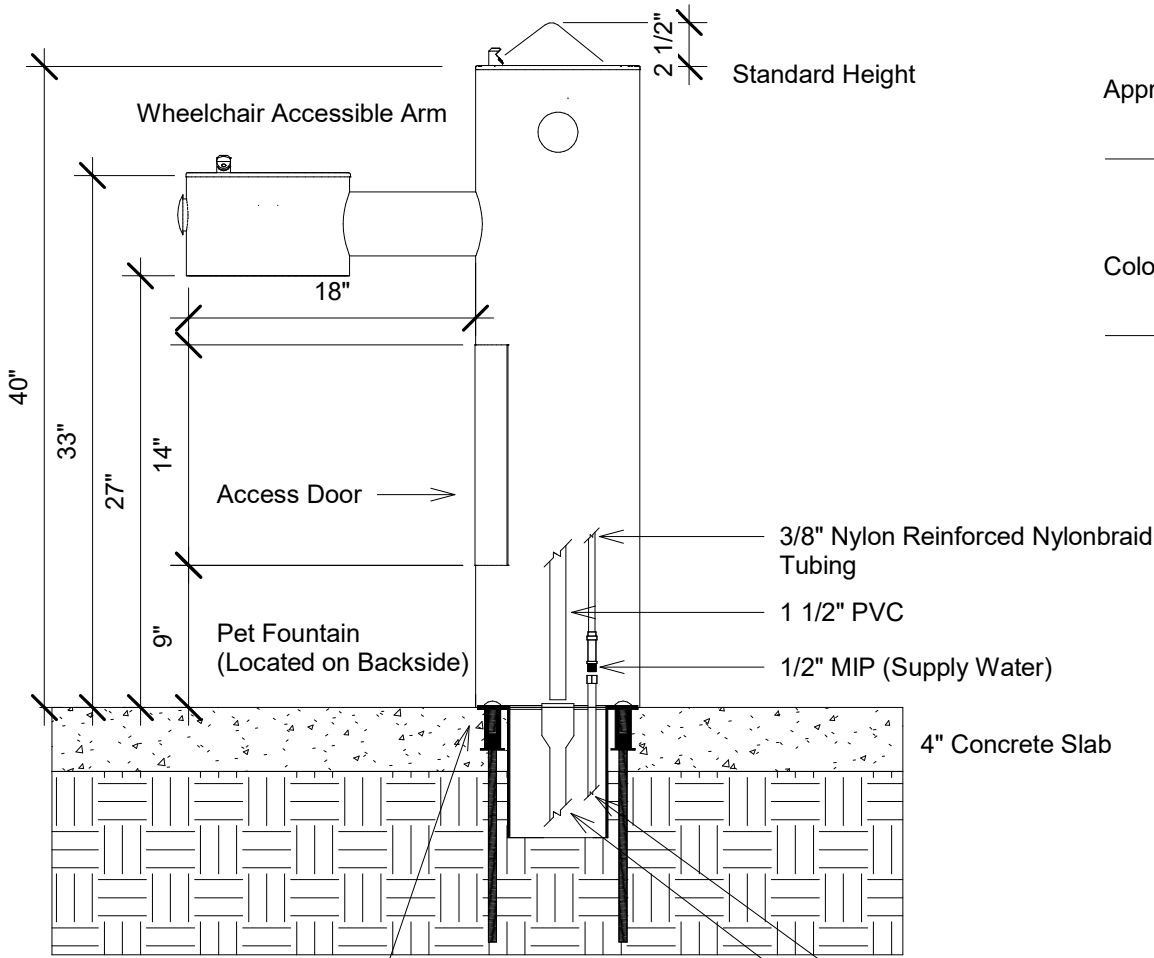
**STANDARD**

**440 SM&SMSS**

1" = 1'-0"

Pet Fountain

Most Dependable Fountains, INC.  
 5705 Commander Dr. PO Box 587  
 Arlington, TN 38002  
 Phone: (901-867-0039)  
 www.mostdependable.com



Approval Signature: \_\_\_\_\_

Color Selection: \_\_\_\_\_

Select Material Type:

- 304 Stainless Steel
- 316 Stainless Steel

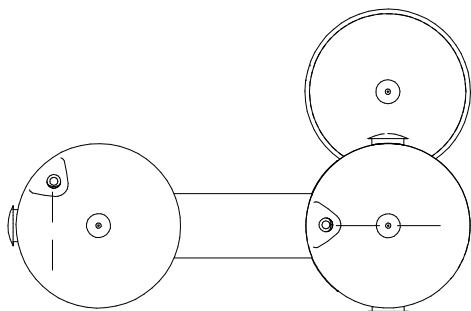
Installation Option

- Internal Surface Mount
- Unattached Valve Box
- Cut Off Low Point Drain

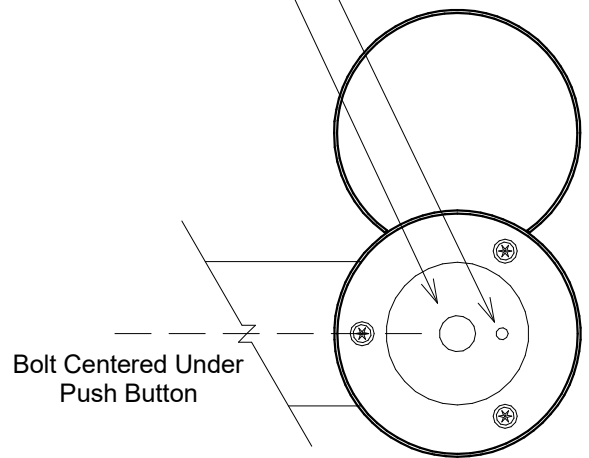
**Note:**  
 3" Air Gap Between  
 Water Fixture &  
 Top of Pet Bowl Rim

\*Optional Internal  
 Surface Mount\*

Supply Line By Other  
 Drain Line By Other



Point of Approach/  
 Front



— Water Stream Path

⊗ Surface Mounting Bolt Location

**ADA Clearance Note:**  
 30" Minimum width from  
 center of ADA push button.

