

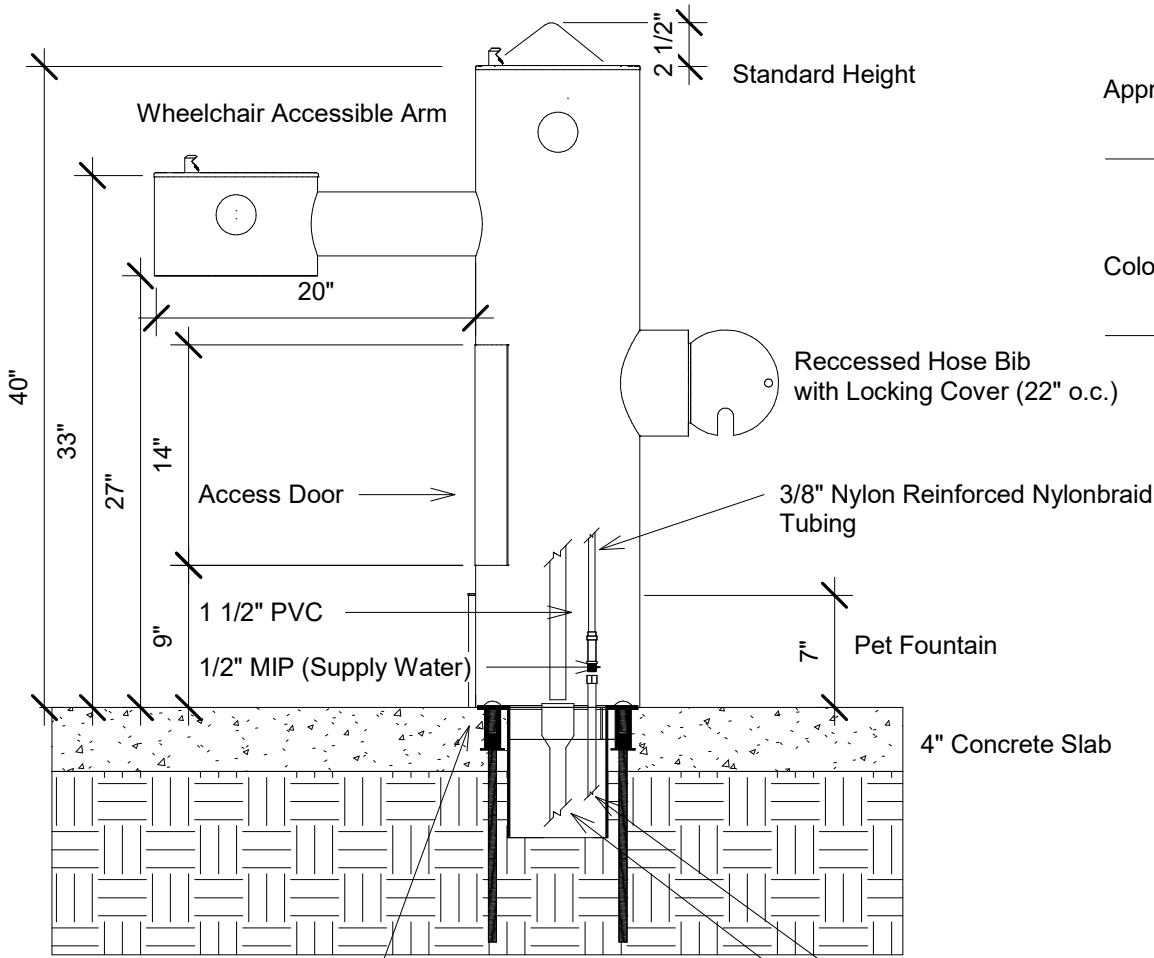
**CUSTOM FRONT APPROACH**

① **440 SM&SMSSFA**

1" = 1'-0"

Pet Fountain  
Recessed Hose Bib with Locking Cover

Most Dependable Fountains, INC.  
5705 Commander Dr. PO Box 587  
Arlington, TN 38002  
Phone: (901-867-0039)  
www.mostdependable.com



Approval Signature: \_\_\_\_\_

Color Selection: \_\_\_\_\_

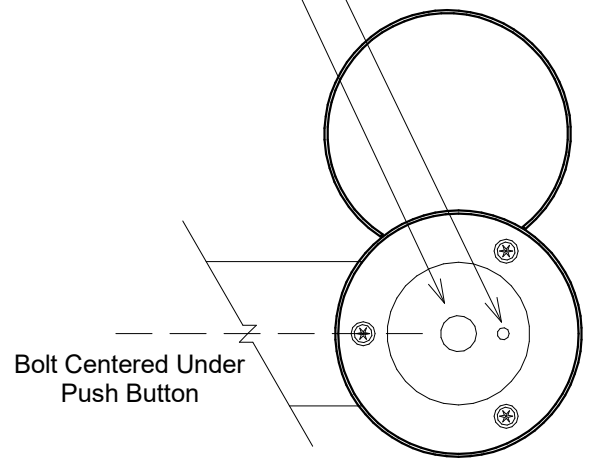
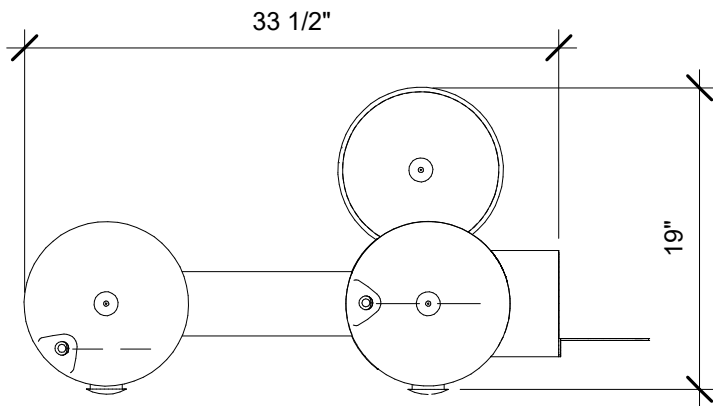
- Select Material Type:
- 304 Stainless Steel
  - 316 Stainless Steel

- Installation Option
- Internal Surface Mount
  - Unattached Valve Box
  - Cut Off Low Point Drain

**Note:**  
3" Air Gap Between  
Water Fixture &  
Top of Pet Bowl Rim

**\*Optional Internal Surface Mount\***

Supply Line By Other  
Drain Line By Other



- Water Stream Path
- ⊗ Surface Mounting Bolt Location

**ADA Clearance Note:**  
30" Minimum width from  
center of ADA push button.

