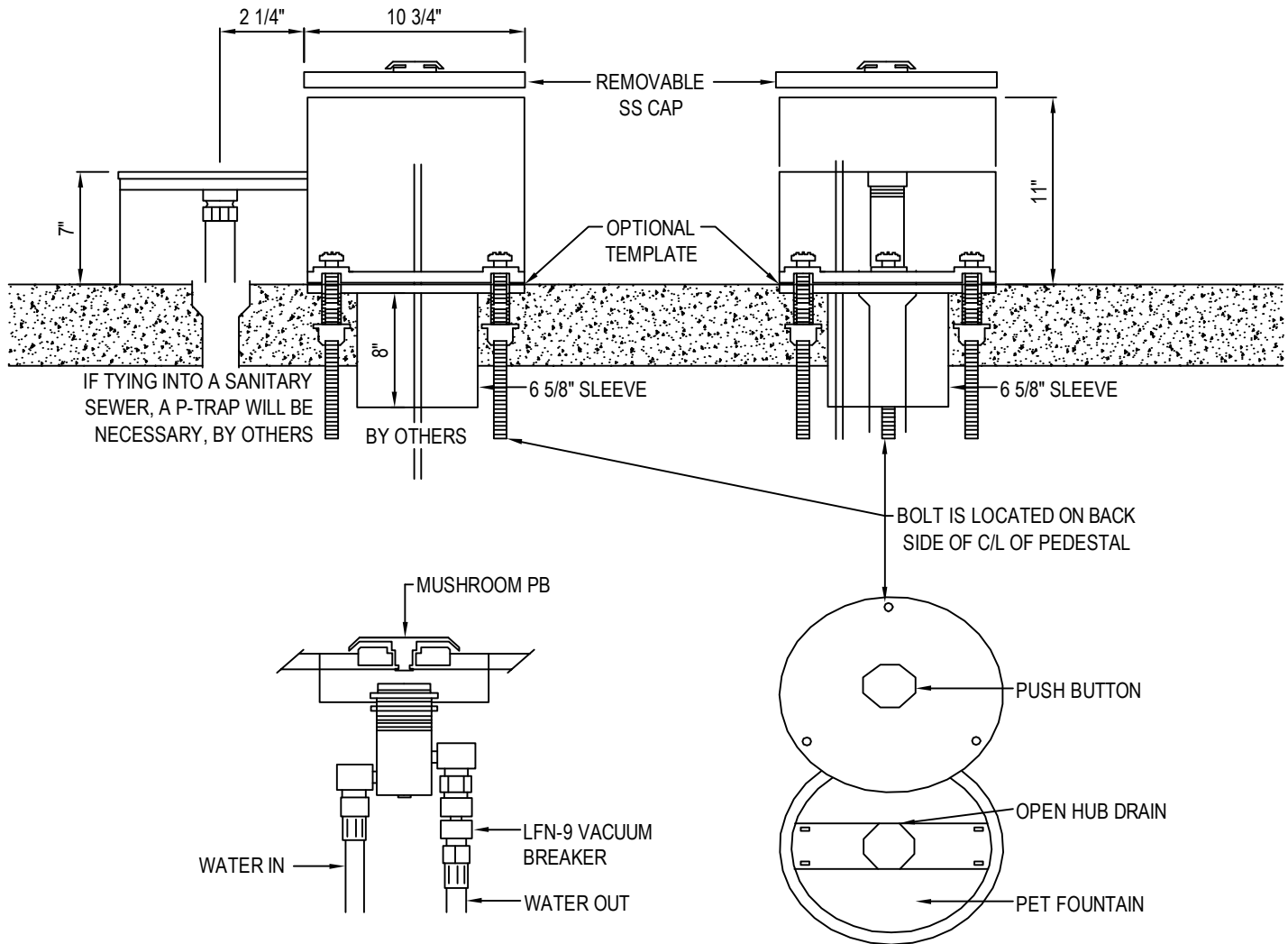


**Most
Dependable
Fountains, Inc.**

OPERATIONS MANUAL

**MODELS:
350 SMSS**

Most Dependable Fountains, IncTM
5705 Commander Drive
Arlington, TN 38002
800-552-6331
www.mostdependable.com



NOTES:

1. INSTALLATION TO BE COMPLETED IN ACCORDANCE WITH MANUFACTURER'S SPECIFICATIONS.
2. DO NOT SCALE DRAWING.
3. THIS DRAWING IS INTENDED FOR USE BY ARCHITECTS, ENGINEERS, CONTRACTORS, CONSULTANTS AND DESIGN PROFESSIONALS FOR PLANNING PURPOSES ONLY. THIS DRAWING MAY NOT BE USED FOR CONSTRUCTION.
4. ALL INFORMATION CONTAINED HEREIN WAS CURRENT AT THE TIME OF DEVELOPMENT BUT MUST BE REVIEWED AND APPROVED BY THE PRODUCT MANUFACTURER TO BE CONSIDERED ACCURATE.
5. CONTRACTOR'S NOTE: FOR PRODUCT AND COMPANY INFORMATION VISIT www.CADdetails.com/info AND ENTER REFERENCE NUMBER 3354-9.5.

 **350 SM SS**
 SHOWN W/ OPTIONAL 10" SS SURFACE CARRIER



350 PET DRINKING FOUNTAIN SPECIFICATIONS

WATER QUALITY (LEAD FREE)	Section 9, California Proposition 6 and the Federal Safe Drinking Water Act.
STAINLESS STEEL PEDESTAL	One piece weld construction with MDF standard 304 schedule 10 stainless steel
RECEPTOR BOWL	18 gauge electro-polished stainless steel bowl. Bowl overlaps pedestal, preventing build-up of residue in visual drinking area. Optional SS Bowl Strainer recommended for areas with sand.
WATER TRAJECTORY	While push bar is activated water rotates and pools for depth. When push bar is released water drains quickly.
PUSH BAR	Foot activated 304 stainless steel with 1 1/4 x 2" stainless steel housing. Mushroom style push bar overlaps and prevents sand and other objects from sticking push bar in the ON position. Stainless steel housing standard on both standard and stainless steel pedestals.
CONTROL VALVE	Requires less than 5 lbs to operate. Non-cartridge O-ring valve delivers steady stream of water through flow regulator. No adjustment necessary. This valve design is to operate and function at 30 to 80 PSI. Ideal operating pressure is 60 PSI.
WATER SUPPLY (LEAD FREE)	Maintenance free reinforced nylobraid tubing that is NSF-61 certified. This tubing is not plastic. It is supplied with a 1/2" MIP threaded inlet with stainless steel strainer. Union fittings at every connection. Supply line stops above grade.
FINISH	Oven baked powder coat. Choice of colors are: <input type="checkbox"/> green, <input type="checkbox"/> blue, <input type="checkbox"/> brown, <input type="checkbox"/> black, <input type="checkbox"/> red, <input type="checkbox"/> yellow, <input type="checkbox"/> orange and <input type="checkbox"/> white. Textured color choices: <input type="checkbox"/> emerald, <input type="checkbox"/> sapphire, <input type="checkbox"/> pyrite, <input type="checkbox"/> text-black, <input type="checkbox"/> burgundy, <input type="checkbox"/> gold vein, <input type="checkbox"/> copper and <input type="checkbox"/> sandstone. Stainless steel models are powder coated for added protection. The color <input type="checkbox"/> chrome is available for stainless steel models only.
WASTE	1 1/2" schedule 40 PVC pipe. Waste line stops above grade.
ACCESS	Working parts accessible through bowl of fountain for easy service. Supply and waste connections are through the above grade access door. All access plates, brackets, vandal resistant bolts and screws are stainless steel.
INSTALLATION	Surface Mount fountains anchor to concrete pad through a welded mounting plate. SS surface carriers recommended for all new installations. Flush all new or existing supply lines prior to installation.
WINTERIZATION	Shut off water and drain down.
WARRANTY	One year warranty, labor not included.
SHIPPING WEIGHT	Model 350 SMSS.... 52 lbs.

MOST DEPENDABLE FOUNTAINS, INC.™
(800) 552-6331 • (901) 867-0039 • Fax (901) 867-4008
5705 COMMANDER DR. • ARLINGTON, TN 38002-0587
www.mostdependable.com



INSTALLATION INSTRUCTIONS

Most Dependable Fountains, Inc.™

All **SM (surface mount)** products are designed to be installed on the surface of a new or existing concrete slab. Your contractor needs to provide a 1 ½” PVC drain line (**when applicable**) and water line thru finish grade. Connections are made to our SM products thru our access door, as shown on detail drawings. The water tubing is provided with a ½” male iron pipe connection. This is an excellent location for a cutoff valve. Surface Mount units are anchored to the existing concrete by means of ½” concrete shields with bolts or we recommend ½” quick bolts.

Note: We offer an optional template which is designed to be poured in the concrete slab. It comes with the necessary vandal resist stainless steel bolts and washers need to anchor.

All **DB (direct bury)** products are designed to be installed to a depth of 14” below grade. MDF provides 1 ½” PVC drain line inside the pedestal (**when applicable**) to point of connection by others. MDF also provides reinforced nylobraid flexible tubing with a ½” male iron pipe thread for connection to water supply by others. MDF recommends an optional valve box using a PVC conduit to the pedestal. By using this option you have complete control of your product.

Individual detail drawings available Online or by request.



For more information:
Most Dependable Fountains, Inc.™
www.mostdependable.com
Info@mostdependable.com
800-552-6331
901-867-0039

LIMITED PRODUCT WARRANTY

Most Dependable Fountains, Inc.™

Most Dependable Fountains, Inc.™ warrants that all of its products are guaranteed against defective material or poor workmanship for a period of **one year from date of shipment**. Most Dependable Fountains, Inc.™ liability under this warranty shall be discharged by furnishing without charge any goods, or part thereof, which shall appear to the Company upon inspection to be of defective material or not of first class workmanship. Most Dependable Fountains, Inc.™ will not be liable for the cost of repairs, alterations or replacements, or for any expense connected therewith made by the owner or his agents. Most Dependable Fountains, Inc.™ will not be liable for any damages caused by defective materials or poor workmanship, except for replacements, as provided above. Buyer agrees that Most Dependable Fountains, Inc.™ has made no other warranties either expressed or implied in addition to those above stated. The products manufactured by Most Dependable Fountains, Inc.™ is warranted to function if installation and maintenance instructions provided are adhered to. The units also must be used for the purpose for which they were intended.

