

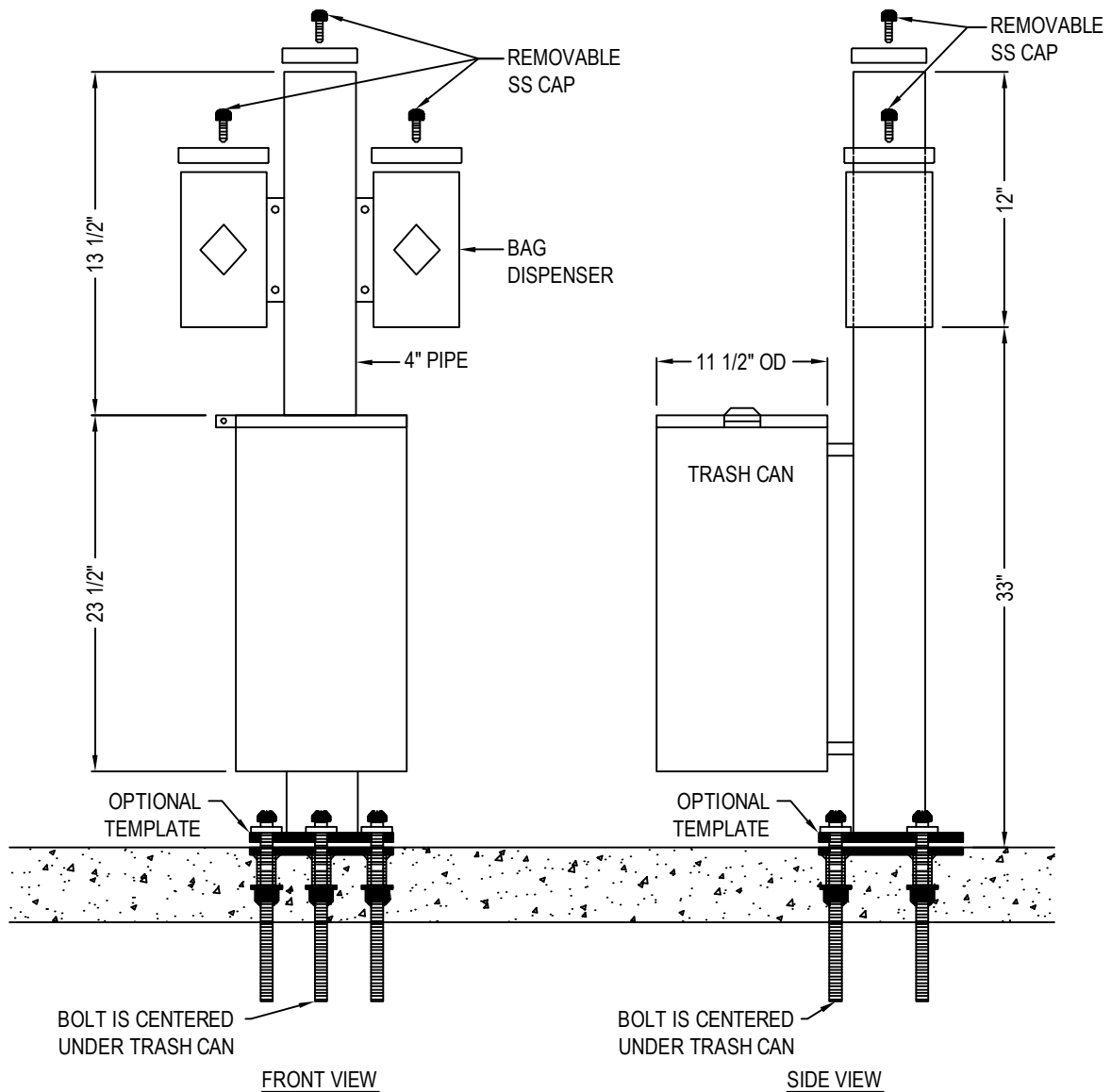
**Most  
Dependable  
Fountains, Inc.**

---

**OPERATIONS MANUAL**

**MODEL:  
395 SM**

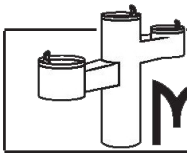
Most Dependable Fountains, Inc<sup>™</sup>  
5705 Commander Drive  
Arlington, TN 38002  
901-867-0039  
[www.mostdependable.com](http://www.mostdependable.com)



**NOTES:**

1. INSTALLATION TO BE COMPLETED IN ACCORDANCE WITH MANUFACTURER'S SPECIFICATIONS.
2. DO NOT SCALE DRAWING.
3. THIS DRAWING IS INTENDED FOR USE BY ARCHITECTS, ENGINEERS, CONTRACTORS, CONSULTANTS AND DESIGN PROFESSIONALS FOR PLANNING PURPOSES ONLY. THIS DRAWING MAY NOT BE USED FOR CONSTRUCTION.
4. ALL INFORMATION CONTAINED HEREIN WAS CURRENT AT THE TIME OF DEVELOPMENT BUT MUST BE REVIEWED AND APPROVED BY THE PRODUCT MANUFACTURER TO BE CONSIDERED ACCURATE.
5. CONTRACTOR'S NOTE: FOR PRODUCT AND COMPANY INFORMATION VISIT [www.CADdetails.com/info](http://www.CADdetails.com/info) AND ENTER REFERENCE NUMBER 3354-9.91.





## 395 PET WASTE STATION SPECIFICATIONS

### STANDARD PEDESTAL

One piece weld construction with MDF standard 3/16" wall thickness.

### BAG RECEPTACLE

(2) 6" stainless steel dispensers holding a total of 1,200 bags with tamper proof locking lids.

### TRASH RECEPTACLE

10 gallon unit with stainless steel lid.

### OPTIONAL HAND SANITIZER

When applicable:

**Dispenser** - Stainless steel dispenser with vandal resistant bolts & screws.

**Hand Sanitizer** - Alcohol Free- Foaming Instant Hand Sanitizer is confirmed to reduce harmful bacteria by 99.99%.

### INSTALLATION

**Surface Mount** anchors to a concrete pad through a welded mountin plate. 10" bury in ground for **Direct Bury** models. Minimal assembly required.

### FINISH

Oven baked powder coat. Choice of colors are:  green,  blue,  black,  red,  yellow,  orange,  brown and  white. Textured color choices:  emerald,  sapphire,  pyrite,  text-black,  burgundy,  gold vein,  copper and  sandstone.

### WARRANTY

One year warranty, labor not included.

### SHIPPING WEIGHT

70 lbs.

**MOST DEPENDABLE FOUNTAINS, INC.™**  
5705 COMMANDER DR. • ARLINGTON, TN 38002-0587  
[www.mostdependable.com](http://www.mostdependable.com)  
(901) 867-0039

# LIMITED PRODUCT WARRANTY

Most Dependable Fountains, Inc.™

Most Dependable Fountains, Inc.™ warrants that all of its products are guaranteed against defective material or poor workmanship for a period of **one year from date of shipment**. Most Dependable Fountains, Inc.™ liability under this warranty shall be discharged by furnishing without charge any goods, or part thereof, which shall appear to the Company upon inspection to be of defective material or not of first class workmanship. Most Dependable Fountains, Inc.™ will not be liable for the cost of repairs, alterations or replacements, or for any expense connected therewith made by the owner or his agents. Most Dependable Fountains, Inc.™ will not be liable for any damages caused by defective materials or poor workmanship, except for replacements, as provided above. Buyer agrees that Most Dependable Fountains, Inc.™ has made no other warranties either expressed or implied in addition to those above stated. The products manufactured by Most Dependable Fountains, Inc.™ is warranted to function if installation and maintenance instructions provided are adhered to. The units also must be used for the purpose for which they were intended.

