

**Most
Dependable
Fountains, Inc.**

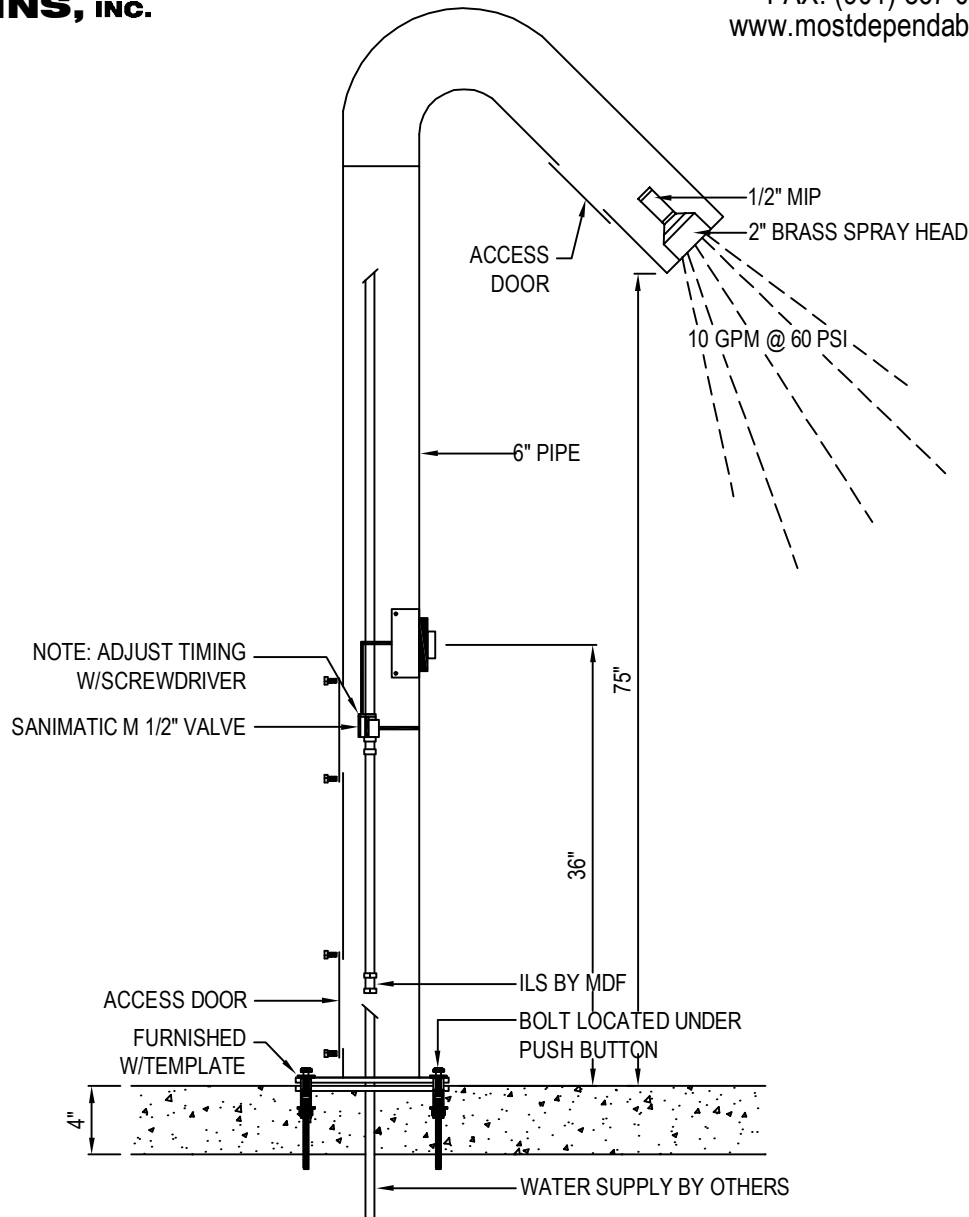
OPERATIONS MANUAL

**MODELS:
Play Tower 3**

Most Dependable Fountains, IncTM
5705 Commander Drive
Arlington, TN 38002
800-552-6331
www.mostdependable.com



MOST DEPENDABLE FOUNTAINS, INC.
 5705 COMMANDER DR. P.O. BOX 587
 ARLINGTON, TN 38002-0587
 TOLL FREE: 1-800-552-6331
 PHONE: (901) 867-0039
 FAX: (901) 867-0159
 www.mostdependable.com



NOTES:

1. THIS MODEL COMES WITH A 6" STAINLESS STEEL SURFACE CARRIER.
2. INSTALLATION TO BE COMPLETED IN ACCORDANCE WITH MANUFACTURER'S SPECIFICATIONS.
3. DO NOT SCALE DRAWING.
4. THIS DRAWING IS INTENDED FOR USE BY ARCHITECTS, ENGINEERS, CONTRACTORS, CONSULTANTS AND DESIGN PROFESSIONALS FOR PLANNING PURPOSES ONLY. THIS DRAWING MAY NOT BE USED FOR CONSTRUCTION.
5. ALL INFORMATION CONTAINED HEREIN WAS CURRENT AT THE TIME OF DEVELOPMENT BUT MUST BE REVIEWED AND APPROVED BY THE PRODUCT MANUFACTURER TO BE CONSIDERED ACCURATE.
6. CONTRACTOR'S NOTE: FOR PRODUCT AND COMPANY INFORMATION VISIT www.CADdetails.com/info AND ENTER REFERENCE NUMBER 3354-11.8.





PLAY TOWER SPECIFICATIONS

■ STANDARD PEDESTAL

One piece weld construction with MDF standard 3/16" wall thickness.

OR

■ STAINLESS STEEL PEDESTAL

One piece weld construction with MDF standard 304 schedule 10 stainless steel.

PUSH BAR

304 stainless steel with circumference exceeding 8.6". Mushroom style push bar overlaps and prevents sand and other objects from sticking push bar in the ON position. Stainless steel bubbler housing standard.

SPRAY PATTERNS

Please refer to written product descriptions below.

CONTROL VALVE

Requires less than 5 lbs to operate. This valve design is to operate and function at 30 to 80 PSI. Ideal operating pressure is 60 PSI. One valve with an approximate run time of 30 to 40 seconds.

INSTALLATION

Surface Mount installation, is designed to be anchored on top of an existing surface (concrete, etc.) with anchor bolts through a mounting plate that is welded to the unit. Surface mount carrier recommended for all surface mount installations. Access door standard on all pedestal units.

FINISH

Oven baked powder coat. Choice of colors are: green, blue, black, red, yellow, orange, brown and white. Textured color choices: emerald, sapphire, pyrite, text-black, burgundy, gold vein, copper and sand-stone. Stainless steel models are powder coated for added protection. The color chrome is available for stainless steel models only.

WINTERIZATION

Shut off water and drain down. Remove valve during winter months.

WARRANTY

One year warranty, labor not included.

SHIPPING WEIGHT

Play Tower 1 SM..... 185 lbs. Play Tower 2 SM..... 55 lbs. Play Tower 3 SM. 130 lbs.
Play Tower 1 SMSS..... 185 lbs. Play Tower 2 SMSS.. 55 lbs. Play Tower 3 SMSS.. 130 lbs.

Above specifications apply with these notes:

Play Tower 1 - Pedestal Play Tower provides a 42" cascading shower effect.

Play Tower 2 - Pedestal Play Tower provides an upward spray of 20'.

Play Tower 3 - Pedestal Play Tower mimics a candy cane shape with a 40" x 40" spray projecting 6'.

MOST DEPENDABLE FOUNTAINS, INC.™
(800) 552-6331 • (901) 867-0039 • Fax (901) 867-4008
5705 COMMANDER DR. • ARLINGTON, TN 38002-0587
www.mostdependable.com

INSTALLATION INSTRUCTIONS

Most Dependable Fountains, Inc.™

All **SM (surface mount)** products are designed to be installed on the surface of a new or existing concrete slab. Your contractor needs to provide a 1 ½” PVC drain line (**when applicable**) and water line thru finish grade. Connections are made to our SM products thru our access door, as shown on detail drawings. The water tubing is provided with a ½” male iron pipe connection. This is an excellent location for a cutoff valve. Surface Mount units are anchored to the existing concrete by means of ½” concrete shields with bolts or we recommend ½” quick bolts.

Note: We offer an optional template which is designed to be poured in the concrete slab. It comes with the necessary vandal resist stainless steel bolts and washers need to anchor.

All **DB (direct bury)** products are designed to be installed to a depth of 14” below grade. MDF provides 1 ½” PVC drain line inside the pedestal (**when applicable**) to point of connection by others. MDF also provides reinforced nylobraid flexible tubing with a ½” male iron pipe thread for connection to water supply by others. MDF recommends an optional valve box using a PVC conduit to the pedestal. By using this option you have complete control of your product.

Individual detail drawings available Online or by request.



For more information:
Most Dependable Fountains, Inc.™
www.mostdependable.com
Info@mostdependable.com
800-552-6331
901-867-0039

LIMITED PRODUCT WARRANTY

Most Dependable Fountains, Inc.™

Most Dependable Fountains, Inc.™ warrants that all of its products are guaranteed against defective material or poor workmanship for a period of **one year from date of shipment**. Most Dependable Fountains, Inc.™ liability under this warranty shall be discharged by furnishing without charge any goods, or part thereof, which shall appear to the Company upon inspection to be of defective material or not of first class workmanship. Most Dependable Fountains, Inc.™ will not be liable for the cost of repairs, alterations or replacements, or for any expense connected therewith made by the owner or his agents. Most Dependable Fountains, Inc.™ will not be liable for any damages caused by defective materials or poor workmanship, except for replacements, as provided above. Buyer agrees that Most Dependable Fountains, Inc.™ has made no other warranties either expressed or implied in addition to those above stated. The products manufactured by Most Dependable Fountains, Inc.™ is warranted to function if installation and maintenance instructions provided are adhered to. The units also must be used for the purpose for which they were intended.

