

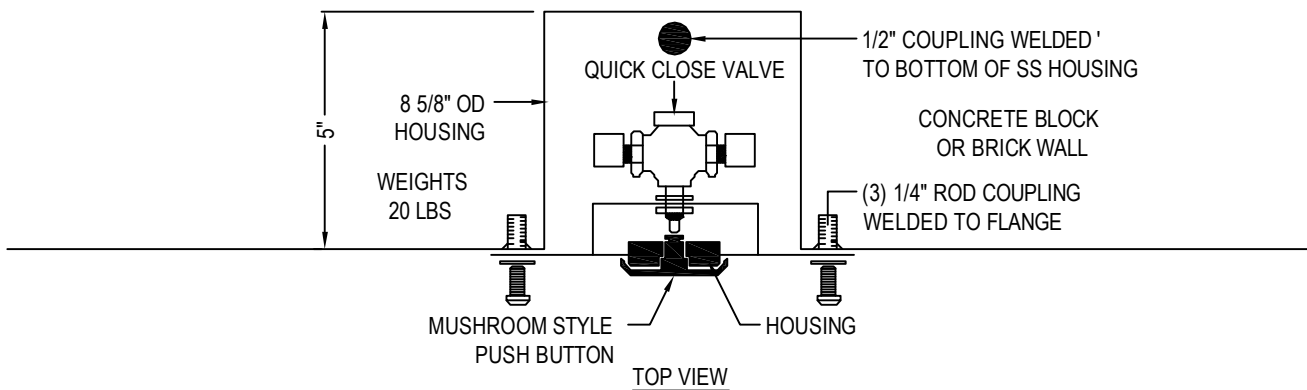
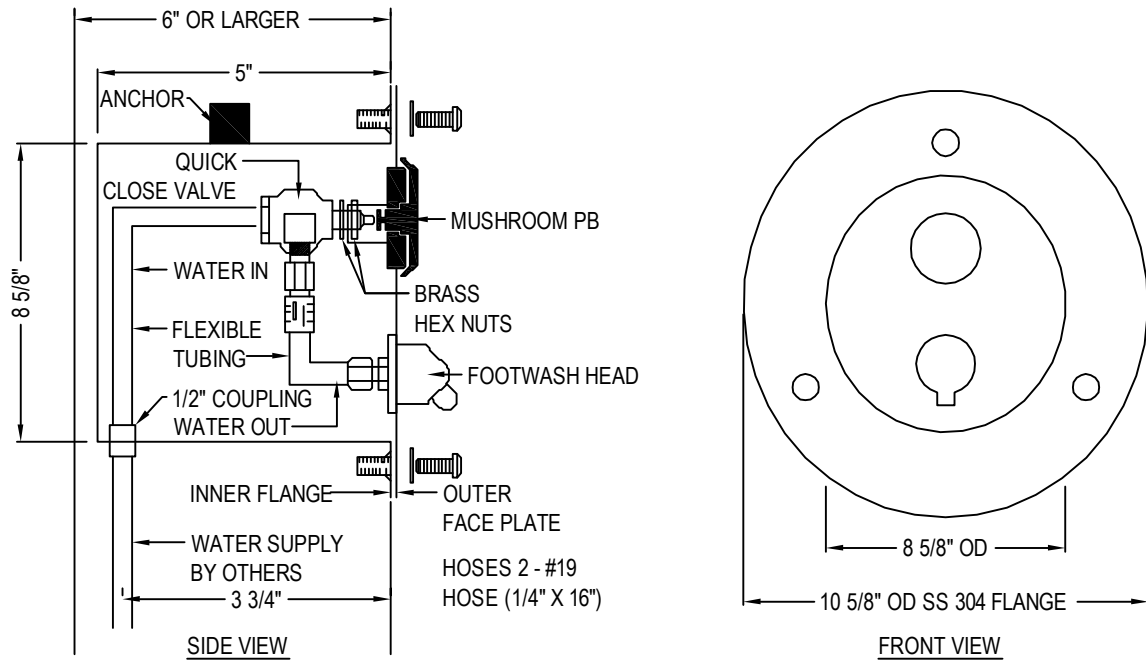
**Most  
Dependable  
Fountains, Inc.**

---

**OPERATIONS MANUAL**

**MODEL:  
WMSS FW**

Most Dependable Fountains, Inc<sup>™</sup>  
5705 Commander Drive  
Arlington, TN 38002  
901-867-0039  
[www.mostdependable.com](http://www.mostdependable.com)



**NOTES:**

1. FOOTWASH CAN BE INSTALLED IN A CONCRETE, BLOCK, BRICK, WOOD, OR METAL STUD WALL.
2. INSTALLATION TO BE COMPLETED IN ACCORDANCE WITH MANUFACTURER'S SPECIFICATIONS.
3. DO NOT SCALE DRAWING.
4. THIS DRAWING IS INTENDED FOR USE BY ARCHITECTS, ENGINEERS, CONTRACTORS, CONSULTANTS AND DESIGN PROFESSIONALS FOR PLANNING PURPOSES ONLY. THIS DRAWING MAY NOT BE USED FOR CONSTRUCTION.
5. ALL INFORMATION CONTAINED HEREIN WAS CURRENT AT THE TIME OF DEVELOPMENT BUT MUST BE REVIEWED AND APPROVED BY THE PRODUCT MANUFACTURER TO BE CONSIDERED ACCURATE.
6. CONTRACTOR'S NOTE: FOR PRODUCT AND COMPANY INFORMATION VISIT [www.CADdetails.com/info](http://www.CADdetails.com/info) AND ENTER REFERENCE NUMBER 3354-10.29.



**WMSS WALL MOUNTED FOOT WASH**  
 WITH QUICK CLOSING VALVE



## WALL MOUNT FOOT WASH SPECIFICATIONS

### **STAINLESS STEEL**

One piece weld construction with MDF standard 304 schedule 10 stainless steel.

### **PUSH BAR**

304 stainless steel with circumference exceeding 8.6". Mushroom style push bar overlaps and prevents sand and other objects from sticking push bar in the ON position. Stainless steel bubbler housing standard.

### **CONTROL VALVE**

Requires less than 5 lbs to operate. Non-cartridge O-ring valve delivers steady stream of water. No adjustment necessary. This valve design is to operate and function between 30 to 80 PSI. Ideal operating pressure is 60 PSI.

### **WATER SUPPLY (LEAD FREE)**

Maintenance free reinforced nylobraid tubing - **this tubing is not plastic**. It is supplied with a 1/2" MIP threaded inlet with stainless steel strainer. Union fittings at every connection. Supply line stops above grade.

### **FINISH**

Oven baked powder coat. Choice of colors are:  green,  blue,  black,  red,  yellow,  orange,  brown and  white. Textured color choices:  emerald,  sapphire,  pyrite,  text-black,  burgundy,  gold vein,  copper and  sandstone. Stainless steel models are powder coated for added protection. The color  chrome is an available option for stainless steel models only.

### **WINTERIZATION**

Shut off water and drain down.

### **WARRANTY**

One year warranty, labor not included.

**MOST DEPENDABLE FOUNTAINS, INC.™**  
5705 COMMANDER DR. • ARLINGTON, TN 38002-0587  
[www.mostdependable.com](http://www.mostdependable.com)  
(901) 867-0039



# LIMITED PRODUCT WARRANTY

Most Dependable Fountains, Inc.™

Most Dependable Fountains, Inc.™ warrants that all of its products are guaranteed against defective material or poor workmanship for a period of **one year from date of shipment**. Most Dependable Fountains, Inc.™ liability under this warranty shall be discharged by furnishing without charge any goods, or part thereof, which shall appear to the Company upon inspection to be of defective material or not of first class workmanship. Most Dependable Fountains, Inc.™ will not be liable for the cost of repairs, alterations or replacements, or for any expense connected therewith made by the owner or his agents. Most Dependable Fountains, Inc.™ will not be liable for any damages caused by defective materials or poor workmanship, except for replacements, as provided above. Buyer agrees that Most Dependable Fountains, Inc.™ has made no other warranties either expressed or implied in addition to those above stated. The products manufactured by Most Dependable Fountains, Inc.™ is warranted to function if installation and maintenance instructions provided are adhered to. The units also must be used for the purpose for which they were intended.

